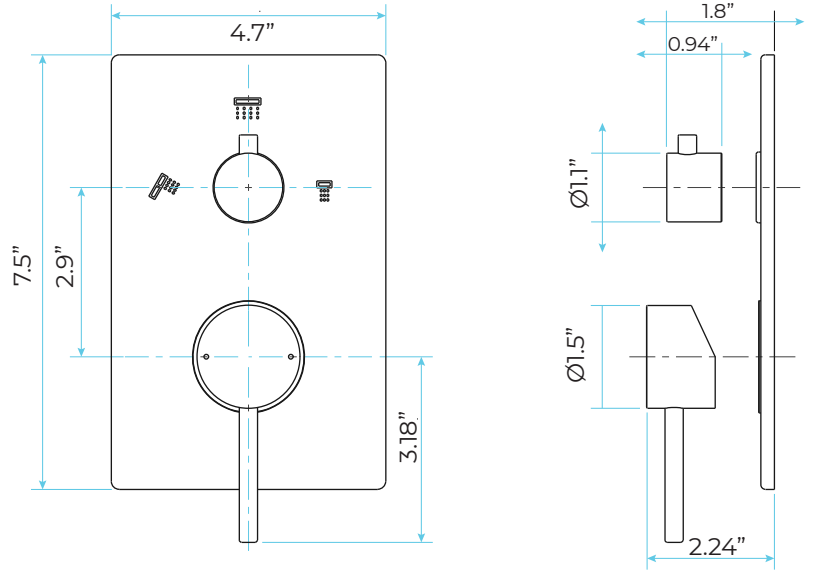


BRAVAT BRUSHED GOLD 2-WAY SHOWER MIXER CONTROL VALVE SPECS



SPECS:

Brass+Zinc Handle

Brass Cover

3 function rotatory diverter

Finish: Chrome

Flow Pressure min. 0.5 bar –
recommended 1 – 5 bar

Operating pressure: max. 10 bar

Test pressure: 16 bar

Flow rate at 3 bar flow pressure
for bath: approx. 21,5 l/min

for shower: approx. 18 l/min

Hot water inlet temperature max. 80 °C

Recommended (energy saving): 60 °C

